



Intake Manifold, Victor II Ford Mustang 5.0L Coyote Installation Instructions

PLEASE study these instructions carefully before beginning this installation. Most installations can be accomplished with common tools and procedures. However, you should be familiar with and comfortable working on your vehicle. If you do not feel comfortable performing this installation, it is recommended to have the installation completed by a qualified mechanic. If you have any questions, please call our **Technical Hotline at: 1-800-416-8628**, 7:00 am - 5:00 pm, Pacific Standard Time, Monday through Friday.

IMPORTANT NOTE: Proper installation is the responsibility of the installer. Improper installation will void your warranty and may result in poor performance and engine or vehicle damage.

INTRODUCTION: The Edelbrock Victor II intake manifold combines long tapered, crossover style runners with a large plenum for outstanding performance. The cast aluminum construction makes it ideal for nitrous, supercharged and turbo applications. This manifold also includes provisions for all emissions equipment and reuses the stock fuel rail. The Victor II also features nitrous bosses for adding a direct port system for competition applications. The slightly lower design allows it fit all 2011-2016 Mustang stock hoods and strut tower braces (requires Ford #M-9444-M50B). The Victor II intake manifold has been tested to have 27 more ft-lbs. of torque over a common aftermarket plastic upgrade intake manifold and an additional 16 horsepower over a stock manifold. Manifold is pending emissions certification.

KIT # 7180 CONTENTS:

QTY.	Description		
<input type="checkbox"/> 1	Victor II Intake Manifold	<input type="checkbox"/> 4	Hex Flange Bolt - M6 x 1.0 x 110mm
<input type="checkbox"/> 1	Throttle Body O-Ring	<input type="checkbox"/> 6	Hex Flange Bolt - M6 x 1.0 x 30mm
<input type="checkbox"/> 1	Fuel Feed Line	<input type="checkbox"/> 1	1/8 NPT Pipe Plug

INSTALLATION PROCEDURE

NOTE: Installation procedure is the same as the stock BOSS 302 intake manifold. Refer to the factory service manual for detail instructions. Please note that there will be some slight differences noted below.

FUEL RAIL & RAIL STANDS: The Edelbrock Victor II intake manifold has been designed to accommodate the use of the stock fuel rail and fuel rail stands. However, the fuel rail will have to be rotated 180° and installed using the supplied fuel line.

FUEL SUPPLY LINE: The factory rubber supply line will be replaced with the supplied fuel line. Install the supplied line and route behind the manifold which will connect to the fuel rail input, now on the passenger side.

FUEL INJECTOR: Intended to fit stock fuel injectors.

GASKETS: This manifold is designed to use the stock 2011-2016 Ford Mustang GT port seals. Use supplied throttle body O-ring gasket.

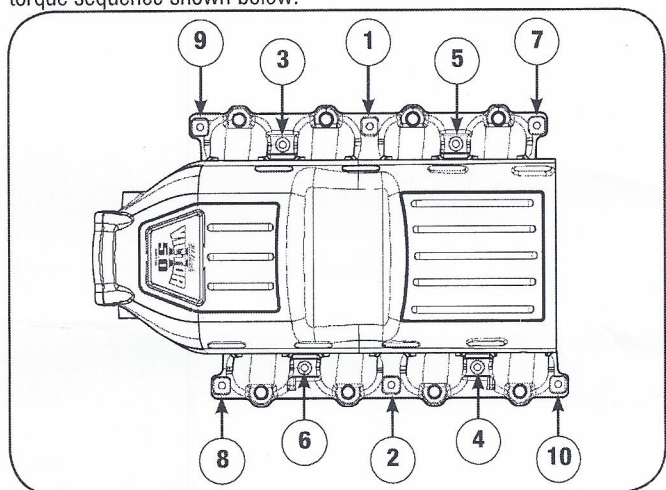
THROTTLE BODY: Design for use with the stock 90mm throttle body, Ford PN M-9926-M5090.

REAR CAP NOTE: The rear cap was designed to simplify the manufacturing process of this intake manifold. It serves no purpose besides that. As such, it is recommended to not remove or tamper with the rear cap.

BOOST REFERENCE: The manifold plenum is drill and tapped with an 1/8 NPT port to accommodate the installation of a boost gauge or pressure transducer. Plug with the supplied pipe plug if not in use.

1. Clean the cylinder head flanges as needed and lower the Victor II manifold onto the cylinder heads.

2. Using the supplied hardware, loosely securing the manifold to the cylinder heads. The four (4) M6 X 110mm hex flange bolts will secure the fuel rails to the manifold. Torque all bolts to 89 in/lbs. following the torque sequence shown below.



**Edelbrock LLC • 2700 California St. • Torrance, CA 90503
Tech-Line: 800-416-8628**